



# INTEG **M** HYBRID INVERTER

**Solinteg MHS-3~8K  
Hybrid Inverter**


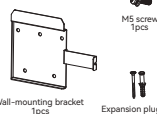
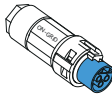
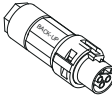
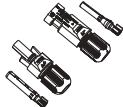
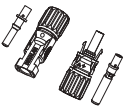








## **Quick Installation Guide**

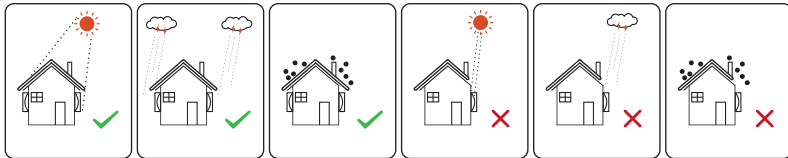
ENGLISH VERSION

# 1 Installation

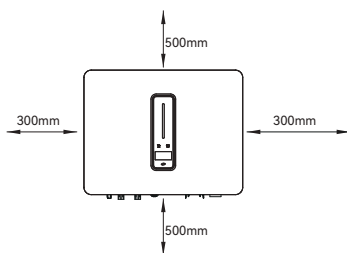
## A Check Packing List

 Inverter 1pcs	 Wall-mounting bracket 1pcs M5 screws 1pcs Expansion plug set 5pcs	 On-grid connector set (Blue) 1pcs	 Back-up connector set (Black) 1pcs
 PV terminal MHS-3-3.6K-30 1 pair / MHS-4.2-8K-30 2 pairs	 Battery terminal 1 pairs	 Meter with 3 CTs 1pcs	 COM2 connector set 1pcs
 Monitoring device 1pcs	 10m meter communication cable 1pcs 3m battery communication cable 1pcs	 PE terminal 1pcs	 User guide 3pcs

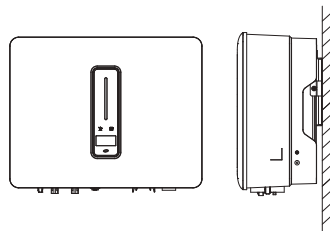
## B Installation Location



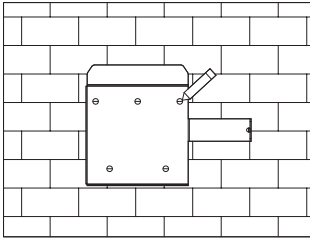
## C Installation Space



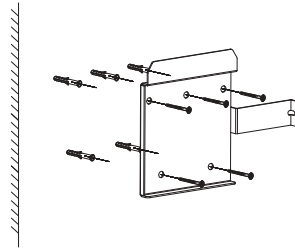
## D Installation Angle



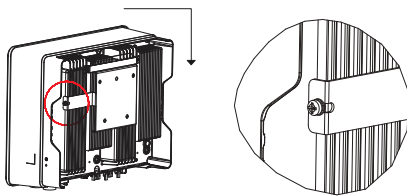
### E Mark the Position and Drill Holes



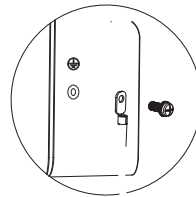
### F Fix Wall Bracket



### G Mounting Inverter



### H Grounding Terminal Connection



## 2 Electrical Connection

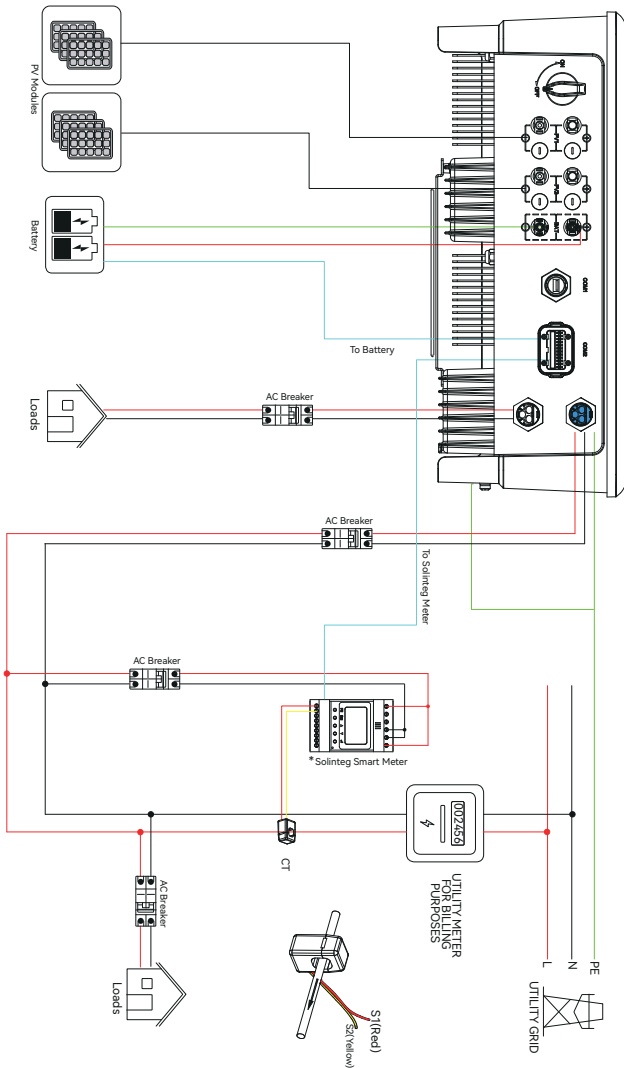
### A Cable Requirements

Cable types	Cable requirements	
	Outside diameter	Conductor core section
AC cable	10.0-18.0 mm	2.5-10.0 mm <sup>2</sup>
PV cable	5.9-8.8 mm	2.5-4.0 mm <sup>2</sup>
Battery power cable	5.0-8.0 mm	10 mm <sup>2</sup>

**AC Connector:** Please distinguish the on-grid and back-up connector, On-grid connector is blue and Back-up connector is Black.

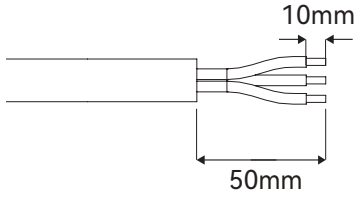
**Battery power cable:** If the conductor core of the battery cable is too small, which may cause poor contact between the terminal and the cable, please use the cable specified in the above table, or contact Solinteg to purchase terminals of other specifications.

**B** Electrical Wiring Diagram

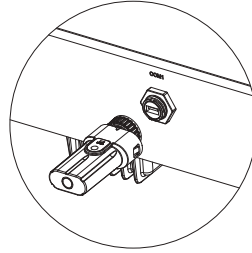


\*Solinteg Smart Meter consists of ACR10R and RMM. Define the cable connections for the meter based on the actual meter model and refer to Meter Terminals Definition. This cable diagram is for reference only.

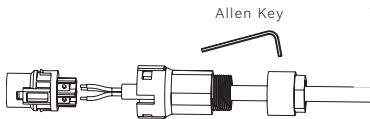
**C** AC Connection



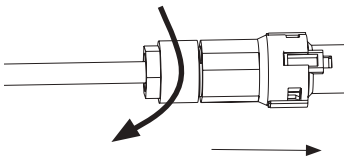
**D** Monitoring Device Installation



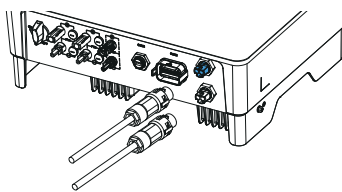
①



②

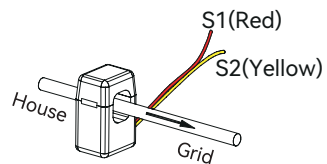
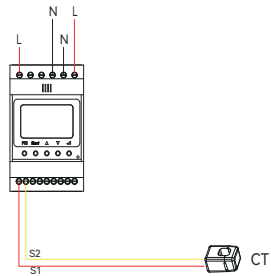
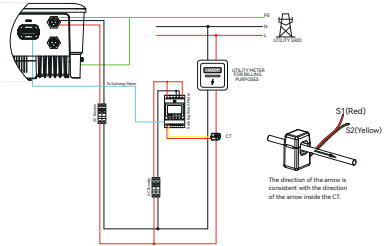


③



④

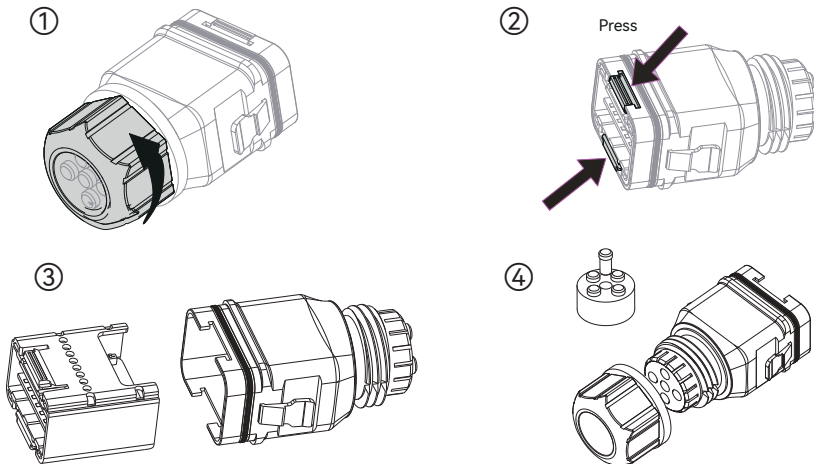
**E** Meter and CT Connection



### Meter Terminals Definition

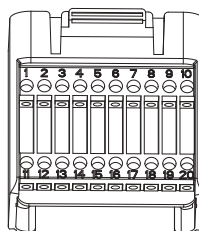
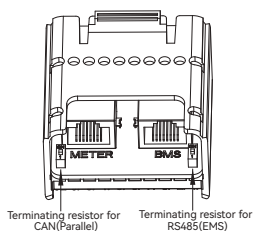
No.	Definition		Function
	ACR10R	RMM	
1	L		L/N connect to grid to detect power grid voltage
2	/		
3	/		
4	N		
5	L-S1		To detect the CT current and direction
6	L-S2		
7	/		
8	/		
9	/		
10	/		
11	/	PE	Ground connection
12	L	/	Power supplied from grid
13	N	/	
RS485	/	Reserve	/
	RS485	RS485-2	Communicate with hybrid inverter
ANT	/	Reserve	/
LAN	/	Reserve	/
Type-C	/	Type-C	Specified Debug Interface. Do not use it by non-professionals

### F Communication Connection



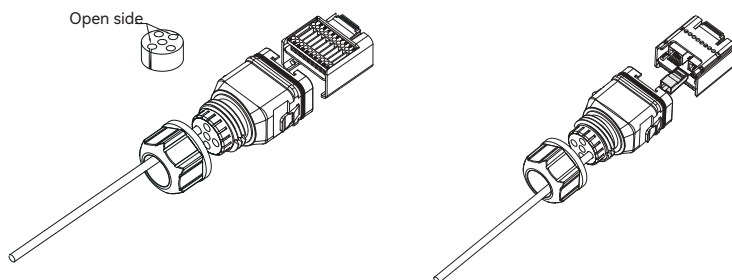
**Part 1**  
Installation

**Part 2**  
Electrical Connection

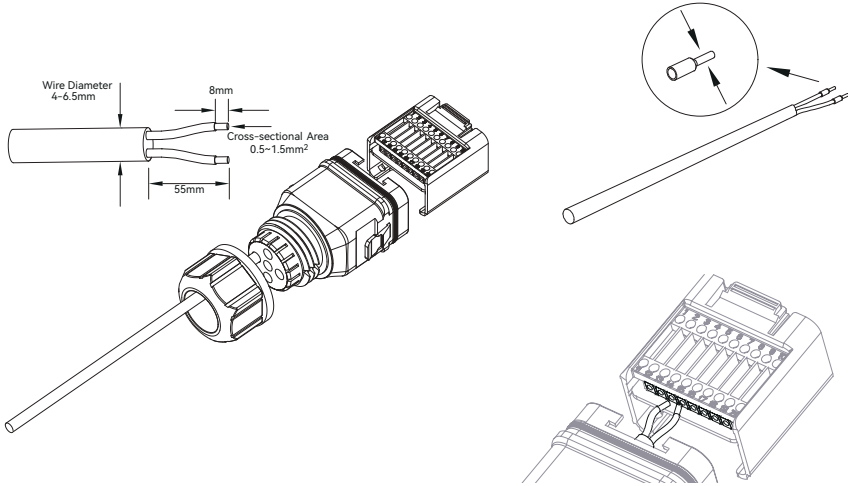


Pin	Definition	Function
RJ45-1	RS 485	Communicate with Meter
RJ45-2	CAN	Communicate with BMS
1	COM	Multifunction Relay
2	NO (Normally Open)	
3-4	/	Reserved  DRED For Australia and New Zealand
5	DRM4/8	
6	DRM3/7	
7	DRM2/6	
8	DRM1/5	
15	COM D/0	
16	REF D/0	
9-10	/	
11	Fast stop +	Fast stop
12	Fast stop -	
13	485 B1	EMS
14	485 A1	
17	CANL_P	CAN for parallel connection of inverters
18	CANH_P	
19-20	/	Reserved

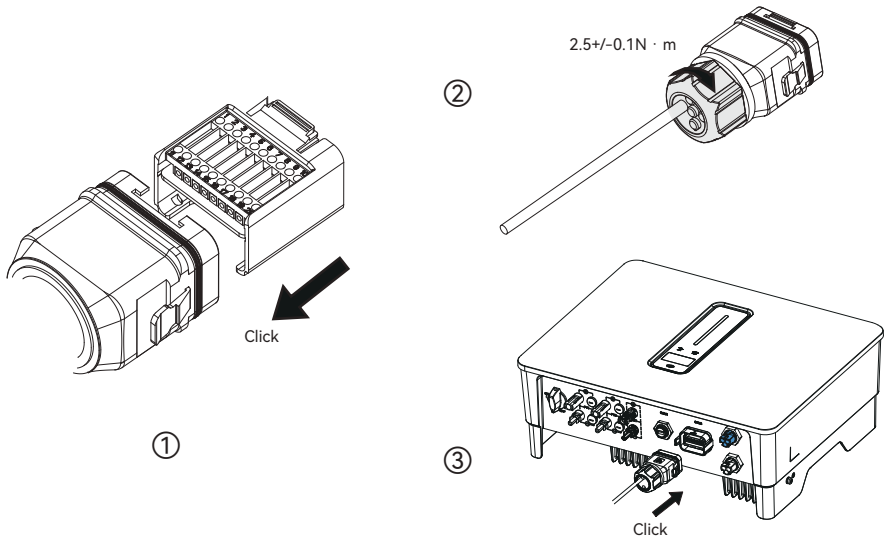
**Connect the Meter and BMS Communication Cables**



### Connect Other Cables

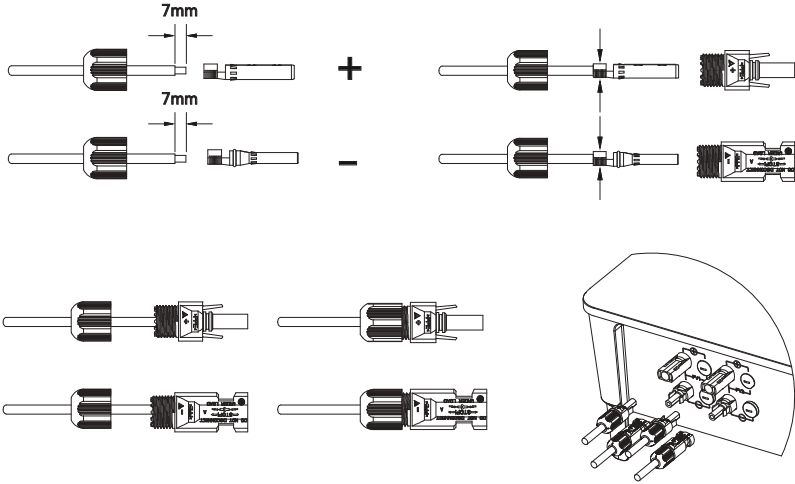


### Installing the COM Connector



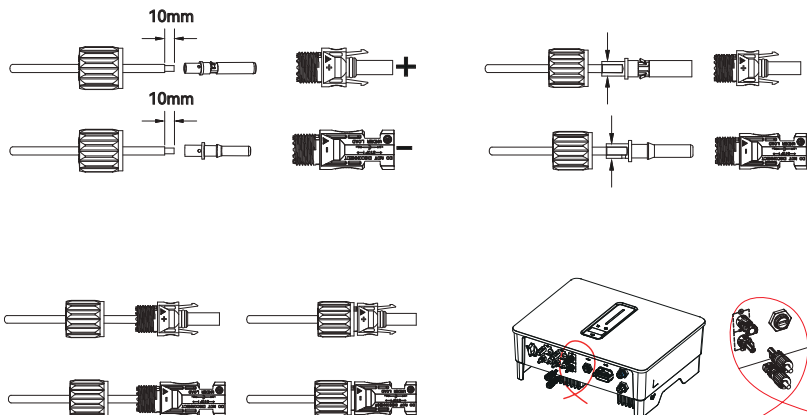


### G PV String Connection



PV Max. Input voltage is 550V without battery, or 500V with battery, otherwise inverter will be waiting.

### H Power Cable of the Battery Connection



I N T E G R A T E   S O L A R   I N T E L L I G E N T



[www.solinteg.com](http://www.solinteg.com)

M11-00009-03